

1000 mm - 1200 mm

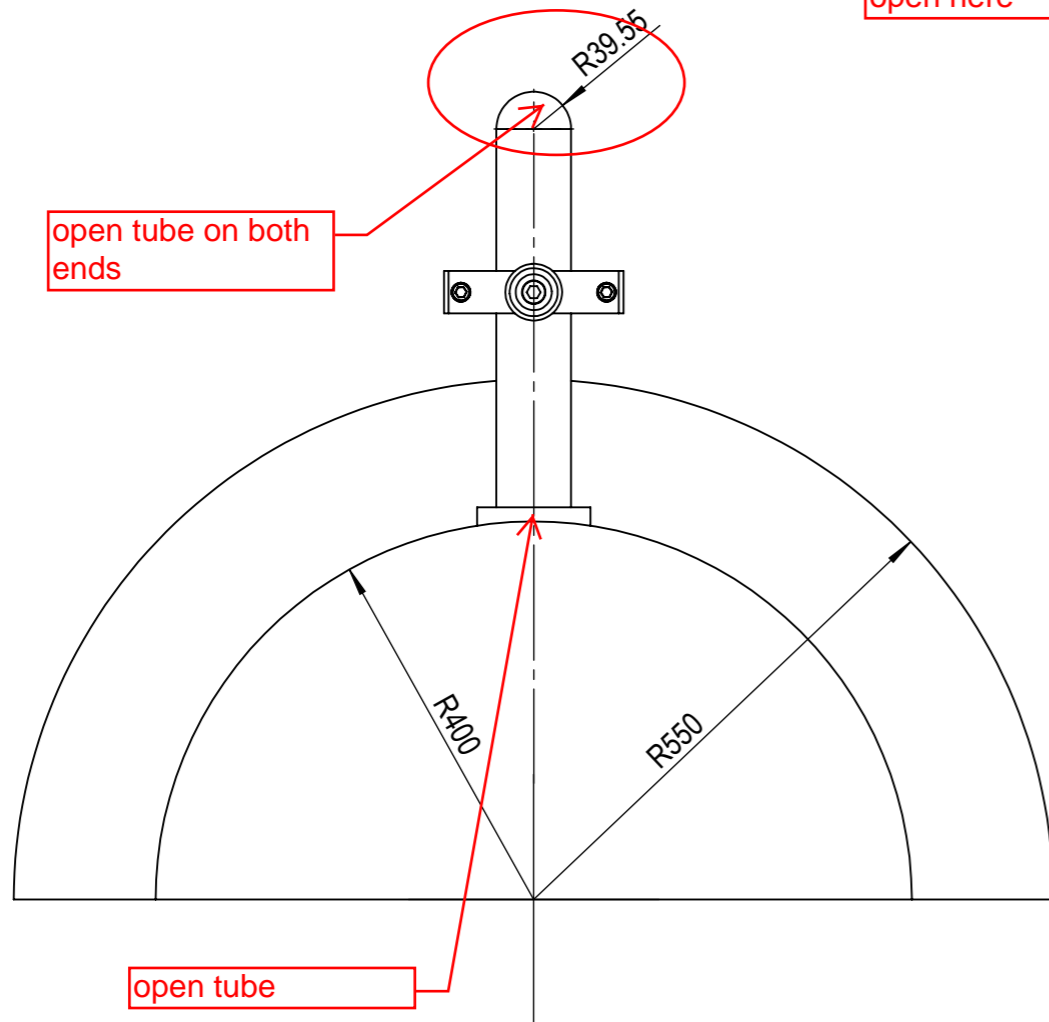
open tube

air cooling

SECTION A-A
SCALE 1 : 8

open here

ceramic fibers
inside



open tube on both
ends

open tube

PROJECT DIRECTOR M.Prokic	DATE 11.02.2014	DEBUR AND BREAK SHARP EDGES	DO NOT SCALE DRAWING	REVISION				
drew M.Puga	DATE MODIFY		MPI-ULTRASONICS MARAIS 36 2400 Le Locle Switzerland e-mail : mpi@mpi-ultrasonics.com phone +41 (0) 32 9314045					
MATERIAL:								
General tolerance SN 258440								
dimension nominale (mm)	>3 ...6	>6 ...30	>30 ...120	>120 ...400	>400 ...1000	>1000 ...2000	Magnesium Furnace + Transducer	
Ecart (mm)	± 0.05	± 0.1	± 0.15	± 0.2	± 0.3	± 0.5		
SCALE: 1:1							SHEET 1 OF 1	A3